

Product Evaluation Report
RPS METAL ROOFING & SIDING, INC.

26 Ga. Super Pro PBR Wall Panel over open framing

Florida Product Approval # 28894.1

Florida Building Code 2017

Per Rule 61G20-3

Method: 2 –B

Category: Structural Components

Subcategory: Structural Wall

Compliance Method: 61G20-3.005(2)(b)

NON HVHZ

Product Manufacturer:

RPS Metal Roofing & Siding, Inc.

302 4th Ave.

Welaka, FL 32193

Engineer Evaluator:

Terrence E. Wolfe, P.E. # 44923

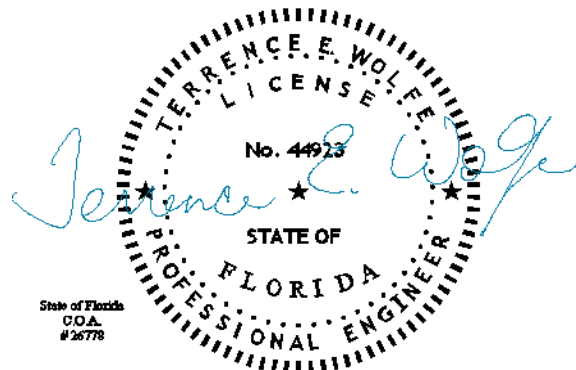
Florida Evaluation ANE ID: 1920

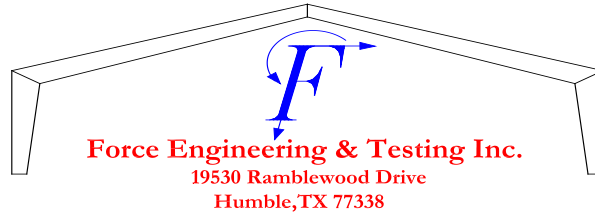
Validator:

Brian Jaks P.E. #70159

Contents:

Evaluation Report Pages 1 – 3





Compliance Statement: The product as described in this report has demonstrated compliance with the Florida Building Code 2017, Sections 1709.2

Product Description: PBR Wall Panel, 26 Ga. Steel, 36" Wide, through fastened structural wall panel. Structural Application.

Panel Material/Standards: Material: 26 Ga. Steel, ASTM A792 or ASTM A653 G90 conforming to Florida Building Code 2017 Section 1405.2.
Yield Strength: Min. 80.0 ksi

Panel Dimension(s): Thickness: 0.0185" min.
Width: 36" maximum coverage
Rib Height: 1 1/4" major rib at 12" O.C.

Panel Fastener: #12-14 x 1-1/4" Steelbinder HWH SD with sealing washing or approved equal.
1/4-14 x 7/8" Steelbinder HWH Stitch with sealing washer through panel side laps at 20" O.C.
Corrosion Resistance: Per Florida Building Code 2017.

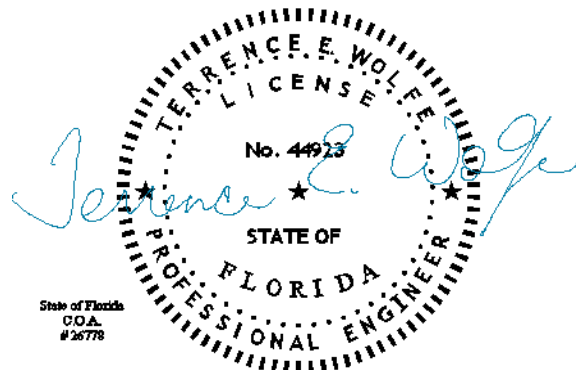
Substrate Description: Min. 16 Ga. Steel Framing. Framing must be designed in accordance w/ Florida Building Code 2017.

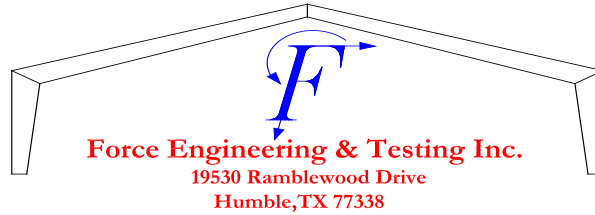
Allowable Design Pressures:

Table "A"

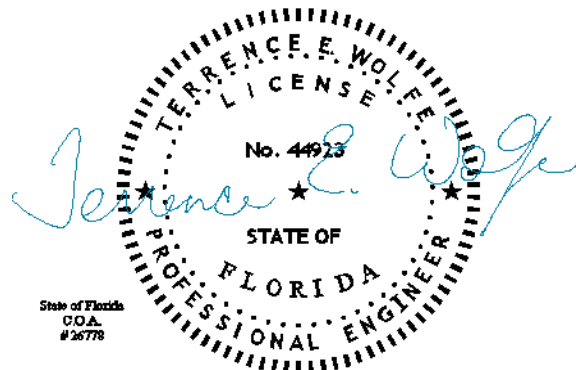
Maximum Design Pressure:	-36.4 psf	+46.9 psf	-111.9 psf	+165.0 psf
Fastener Pattern:	12"-12"-12"	12"-12"-12"	12"-12"-12"	12"-12"-12"
Fastener Spacing:	5'-0" O.C.	5'-0" O.C.	2'-0" O.C.	2'-0" O.C.

*Design Pressure includes a Safety Factor = 2.0

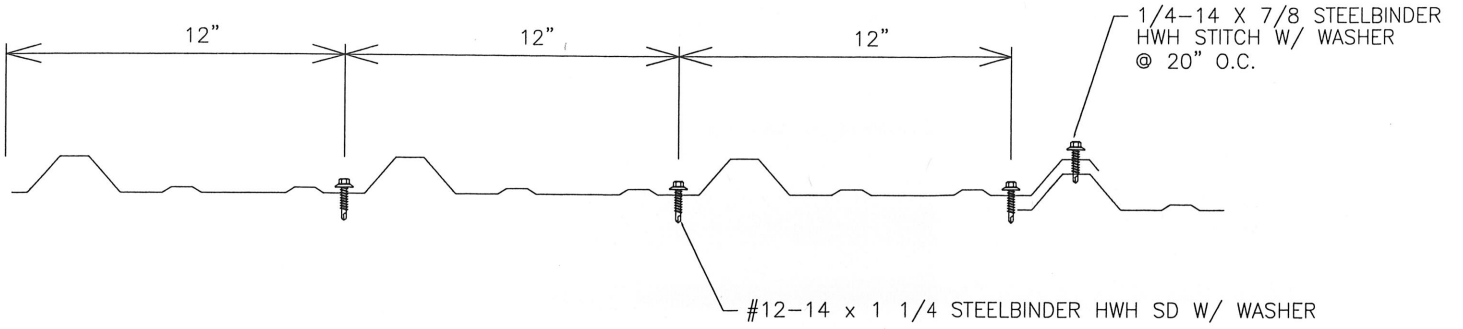




- Code Compliance:** The product described herein has demonstrated compliance with The Florida Building Code 2017, Section 1709.2
- Evaluation Report Scope:** The product evaluation is limited to compliance with the structural wind load requirements of the Florida Building Code 2017, as relates to Rule 61G20-3.
- Performance Standards:** The product described herein has demonstrated compliance with:
- ASTM E 1592-05(2012) Test method for structural performance of sheet metal roof and siding systems by uniform static air pressure difference.
- Reference Data:**
1. ASTM E 1592-05 (2012)
Force Engineering & Testing, Inc. (FBC Organization # TST-5328)
Report No. 118-0036T-19A-D
 2. Certificate of Independence
By Terrence E. Wolfe, P.E. (No. 44923) @ Force Engineering & Testing, Inc.
(FBC Organization # ANE ID: 1920)
- Quality Assurance Entity:** The manufacturer has established compliance of roof panel products in accordance with the Florida Building Code and Rule 61G20-3.005 (3) for manufacturing under a quality assurance program audited by an approved quality assurance entity.
- Installation:** Install per manufacturer's recommended details.
- Insulation:** Manufacturer's approved product (Optional)
- Shear Diaphragm:** Shear diaphragm values are outside the scope of this report.
- Design Procedure:** Based on the dimensions of the structure, appropriate wind loads are determined using Chapter 16 of the Florida Building Code 2017 for wall cladding wind loads. These component wind loads for wall cladding are compared to the allowable pressure listed above. The design professional shall select the appropriate erection details to reference in his drawings for proper fastener attachment to his structure and analyze the panel fasteners for pullout and pullover. Support framing must be in compliance with Florida Building Code 2017 Chapter 22 for steel, and Chapter 16 for structural loading.



FASTENER PATTERN



APR 16 2019

Terrence E. Wolfe

